

Name: _____

UID: _____

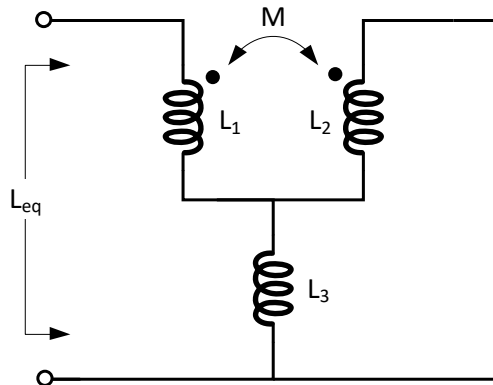
Discussion: _____

Total of 3 questions, 90 minutes.

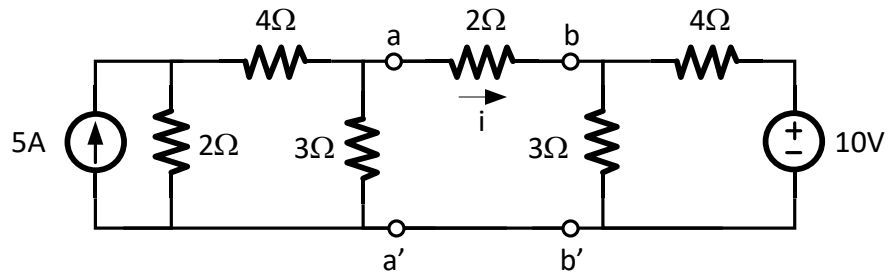
Only a calculator, a pencil, a ruler and an eraser allowed

P1	
P2	
P3	
Total	

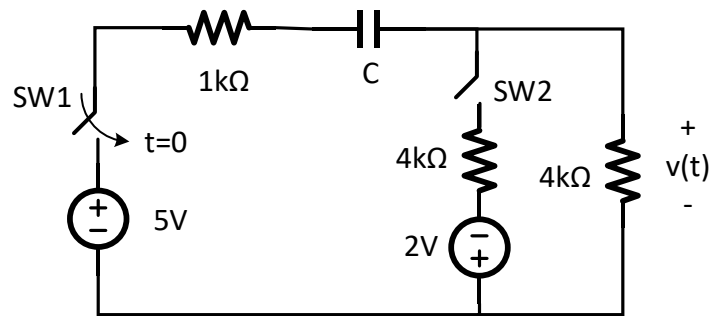
1. (30 points) Find the equivalent inductance of the circuit below.



2. (30 points) In the circuit below,
- Find the current i by finding the Thevenin equivalent at $a - a'$ and $b - b'$ nodes.
 - Calculate the power dissipated in the middle 2Ω resistor.



3. (40 points) In the following circuit, switch SW1 closes at $t = 0$, and switch SW2 closes when $v(t)$ reaches 2V. Calculate and plot $v(t)$.



Scratch paper (NOT GRADED)

Scratch paper (NOT GRADED)

Scratch paper (NOT GRADED)

Scratch paper (NOT GRADED)