

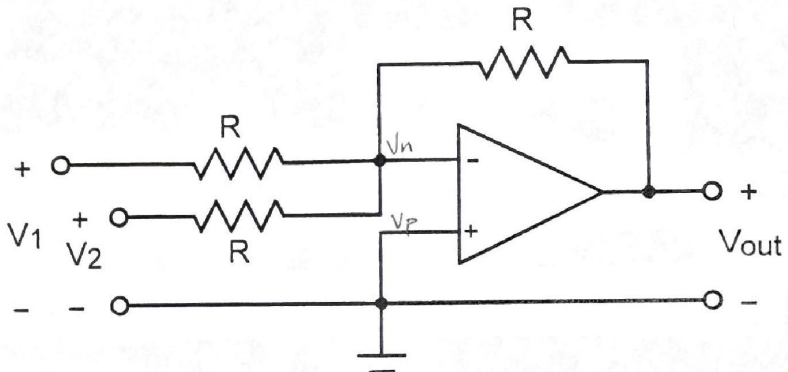
EE3 Fall 2015
Quiz 3

10
10

Name _____
Family Name Given Name

UID _____

Find $V_{out} = f(V_1, V_2, R)$.



$$\frac{V_n - V_1}{R} + \frac{V_n - V_2}{R} + \frac{V_n - V_{out}}{R} = 0$$

$$V_p = 0 = V_n$$

$$-\frac{V_1}{R} + -\frac{V_2}{R} + -\frac{V_{out}}{R} = 0$$

$$V_{out} = -V_1 - V_2$$

Please box your answer!