

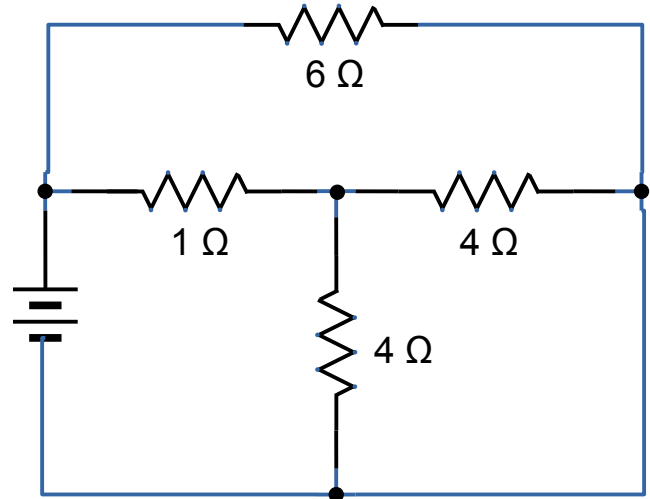
ECE3 Spring 2020
Quiz 1

Name _____
Family (Last)Name | Given (First) Name
UID _____

1.

This circuit can be reduced to a voltage source and one resistor. What is the value of that final resistor?

4 Ω resistors in parallel: $R_{44} = 2 \Omega$
 R_{44} & 1 Ω in series: $R_{441} = 3 \Omega$
 R_{441} & 6 Ω in parallel: 2 Ω



2.

Dr. Briggs has an Office Hour on Tuesday at 1:00 PM.

True

False