

EE10 Midterm I

Department of Electrical Engineering, UCLA

Winter 2016

Instructor: Prof. Gupta

1. Exam is closed book. Calculator and one double sided cheat-sheet is allowed.
2. Cross out *everything* that you don't want me to see. Points will be deducted for everything wrong!
3. No points will be given without proper explanations
4. Time allotted: 75 minutes

Problem	Maximum Score	Your Score
1	10	10
2	6 12	11
3	4 8	8
4	10	8
Total	30 40	37

$$V_{ab} = v_1 + v_2 = L_1 \frac{di_1}{dt} + L_3 \frac{di_1}{dt} + \frac{M}{2} \frac{di_2}{dt} - M_{32} \frac{di_2}{dt}$$

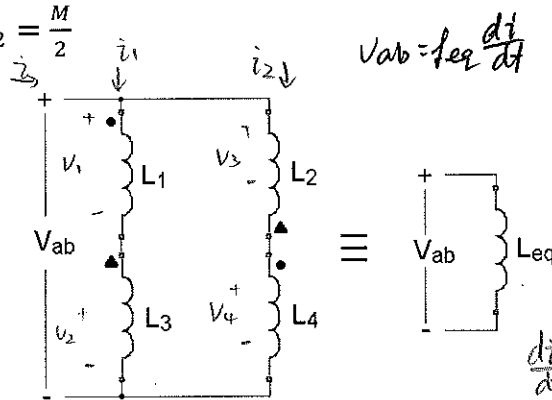
Q1. (10 points)

The four inductors of the figure can be replaced by a single equivalent inductor (L_{eq}). Find L_{eq} as a function of L_1, L_2, L_3, L_4 and M .

Assume: $M_{14} = M_{41} = M$

$$i = i_1 + i_2$$

$$M_{23} = M_{32} = \frac{M}{2}$$



$$V_{ab} = L_{eq} \frac{di}{dt}$$

$$V_{ab} = v_1 + v_2$$

$$= L_1 \frac{di_1}{dt} + L_3 \frac{di_1}{dt} + M_{14} \frac{di_2}{dt} - M_{32} \frac{di_2}{dt}$$

$$= v_3 + v_4$$

$$= L_2 \frac{di_2}{dt} + L_4 \frac{di_2}{dt} + M_{41} \frac{di_1}{dt} - M_{23} \frac{di_1}{dt}$$

$$M_{14} = M_{41} = M \quad M_{23} = M_{32} = \frac{M}{2}$$

$$L_1 \frac{di_1}{dt} + L_3 \frac{di_1}{dt} + M \frac{di_2}{dt} - \frac{M}{2} \frac{di_2}{dt} = L_2 \frac{di_2}{dt} + L_4 \frac{di_2}{dt} + M \frac{di_1}{dt} - \frac{M}{2} \frac{di_1}{dt}$$

$$(L_1 + L_3 - M + \frac{M}{2}) \frac{di_1}{dt} = (L_2 + L_4 + \frac{M}{2} - M) \frac{di_2}{dt}$$

$$\frac{di_1}{dt} = \left(\frac{L_2 + L_4 - \frac{M}{2}}{L_1 + L_3 - \frac{M}{2}} \right) \frac{di_2}{dt}$$

$$i = i_1 + i_2$$

$$\frac{di}{dt} = \frac{di_1}{dt} + \frac{di_2}{dt}$$

$$\frac{di}{dt} = \frac{L_2 + L_4 - \frac{M}{2} + L_1 + L_3 - \frac{M}{2}}{L_1 + L_3 - \frac{M}{2}} \frac{di_2}{dt}$$

$$\frac{di}{dt} = \frac{L_2 + L_4 + L_1 + L_3 - M}{L_1 + L_3 - \frac{M}{2}} \frac{di_2}{dt}$$

$$\frac{di_2}{dt} = \frac{L_1 + L_3 - \frac{M}{2}}{L_2 + L_4 + L_1 + L_3 - M} \frac{di}{dt}$$

$$\frac{di_1}{dt} = \frac{L_2 + L_4 - \frac{M}{2}}{L_1 + L_3 - \frac{M}{2}} \frac{di}{dt}$$

$$\frac{di_1}{dt} = \frac{L_2 + L_4 - \frac{M}{2}}{L_1 + L_2 + L_3 + L_4 - M} \frac{di}{dt}$$

$$\frac{di_2}{dt} = \frac{L_1 + L_3 - \frac{M}{2}}{L_1 + L_2 + L_3 + L_4 - M} \frac{di}{dt}$$

$$V_{ab} = v_1 + v_2$$

$$= (L_1 + L_3) \frac{di_1}{dt} + \frac{M}{2} \frac{di_2}{dt}$$

$$= \frac{(L_1 + L_3)(L_2 + L_4 - \frac{M}{2}) + \frac{M}{2}(L_1 + L_3 - \frac{M}{2})}{L_1 + L_2 + L_3 + L_4 - M} \frac{di}{dt}$$

$$(L_1 + L_3)(L_2 + L_4 - \frac{M}{2}) = L_1 L_2 + L_1 L_4 + L_3 L_2 + L_3 L_4 - \frac{M}{2} L_1 - \frac{M}{2} L_3$$

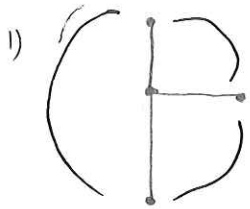
$$\frac{M}{2}(L_1 + L_3 - \frac{M}{2}) = \frac{M}{2} L_1 + \frac{M}{2} L_3 - \frac{M^2}{4}$$

$$V_{ab} = \frac{L_1 L_2 + L_1 L_4 + L_3 L_2 + L_3 L_4 - \frac{M^2}{4}}{L_1 + L_2 + L_3 + L_4 - M} \frac{di}{dt}$$

$$L_{eq} = \frac{L_1 L_2 + L_1 L_4 + L_3 L_2 + L_3 L_4 - \frac{M^2}{4}}{L_1 + L_2 + L_3 + L_4 - M}$$

Q2. (12 points)

- 1) Generate a spanning tree of this circuit.
- 2) Determine the number of nodes and chords.
- 3) What is the minimal number of equations to solve all branch voltages? Define node voltages on the figure and write down the equations.
- 4) What is the minimal number of equations to solve all branch currents? Define loop currents on the figure and write down the equations.



2) there are 4 nodes.

6 branches

3 chords

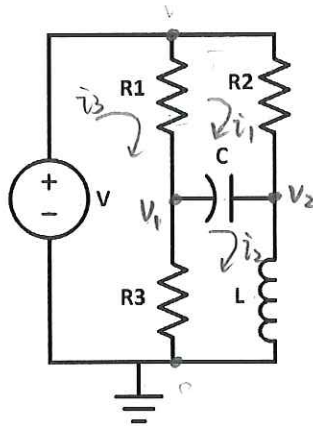
$(6 - (4 - 1) = 3)$ 3 chords

3) 2 minimal number of equations to solve

all branch voltage:

$$\frac{v_1 - v}{R_1} + \frac{v_1}{R_3} + C \frac{d(v_1 - v_2)}{dt} = 0$$

$$\frac{v_2 - v}{R_2} + C \frac{d(v_2 - v_1)}{dt} + \frac{1}{L} \int_0^t v_2 dt = 0$$



$$V - (i_3 - i_1)R_1 - (i_3 - i_2)R_3 = 0$$

4) 3 minimal number of equations to solve ^{branch} currents

$$i_1 R_2 + \frac{1}{C} \int_0^t i_1 dt + i_1 R_1 = i_3 R_1 + \frac{1}{C} \int_0^t i_2 dt$$

$$L \frac{di_2}{dt} + i_2 R_3 + \frac{1}{C} \int_0^t i_2 dt = \frac{1}{C} \int_0^t i_1 dt + i_3 R_3$$

$$i_3 R_1 + i_3 R_3 = V + i_1 R_1 + i_2 R_3$$

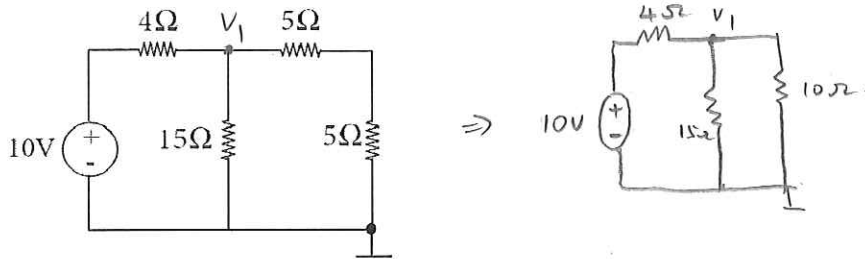
+3

+4

+4

Q3. 8 points

Determine the power consumed by the 15 ohm resistor in the circuit below.



KCL for node V_1 :

$$\frac{V_1 - 0}{15} + \frac{V_1 - 0}{10} + \frac{V_1 - 10}{4} = 0$$

$$\frac{V_1}{15} + \frac{V_1}{10} + \frac{V_1 - 10}{4} = 0$$

$$4V_1 + 6V_1 + 15(V_1 - 10) = 0$$

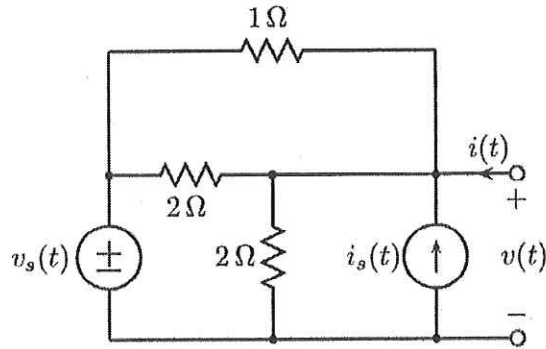
$$10V_1 + 15V_1 - 150 = 0$$

$$25V_1 - 150 = 0$$

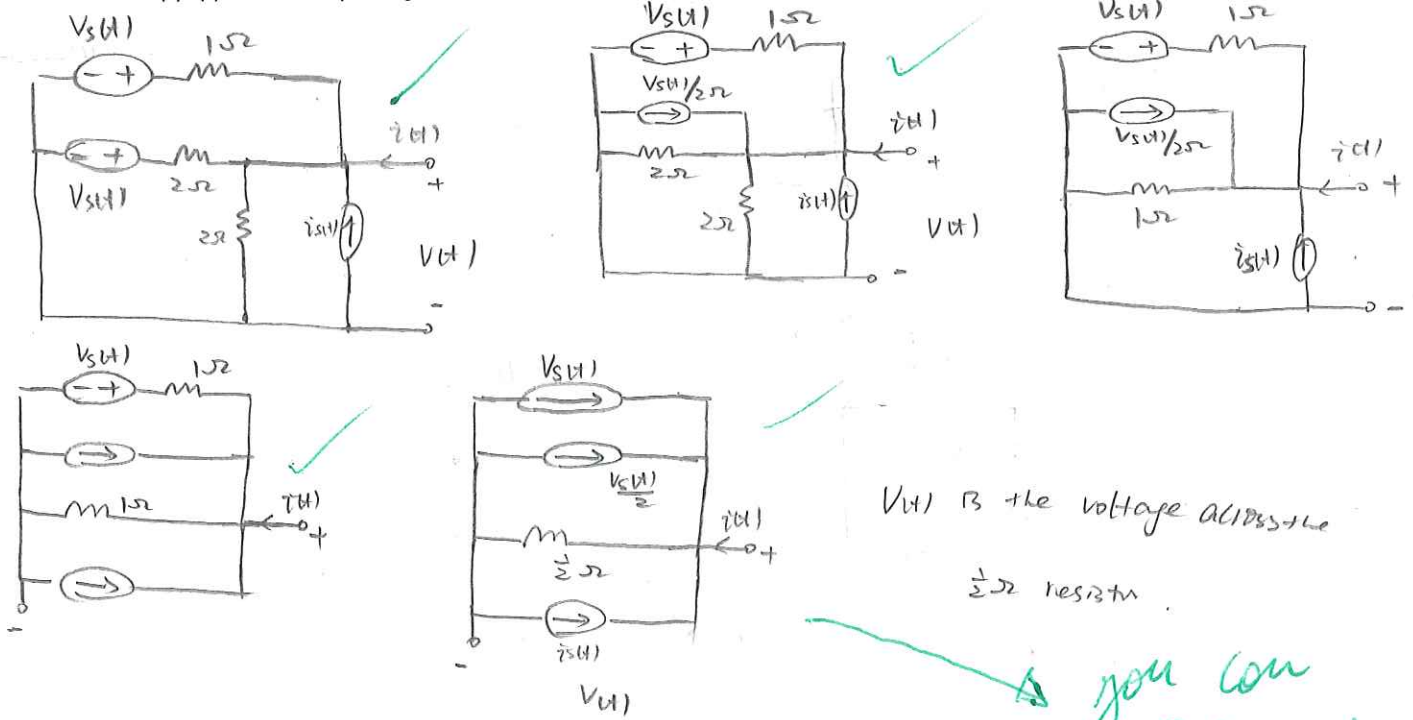
$$V_1 = \frac{150}{25} = 6V$$

$$P = U \cdot I = V_1 \cdot \frac{V_1}{15\Omega} = \frac{U^2}{R} = \frac{36}{15\Omega} = \boxed{2.4W}$$

Q4. 10 points



Find $v(t)$ - $i(t)$ relationship using source transformations.



$V(t)$ is the voltage across the $\frac{1}{2} \Omega$ resistor.

you can still combine the 3 current sources!

$$V_{\frac{1}{2}\Omega} = I \cdot R = \left[V_s(t) + \frac{1}{2} V_s(t) + i_s(t) + i(t) \right] \cdot \frac{1}{2} = \frac{\frac{3}{2} V_s(t) + i_s(t) + i(t)}{2}$$

$$V(t) = \frac{3}{4} V_s(t) + \frac{1}{2} i_s(t) + \frac{1}{2} i(t)$$