

LAST Name: SOLUTION

FIRST Name: _____

University ID: _____

Discussion Section: _____

PHYSICS 1C: Electrodynamics, Optics, and Special Relativity

Fall 2017, Lecture Series 2

Midterm 1—Thursday 26th October

Time allowed: 50 minutes

Answer all questions.

Calculators are permitted in this exam

The numbers in the margin indicate the weight that the examiners expect to assign to each part of the question.

Do NOT turn over until told that you may do so.

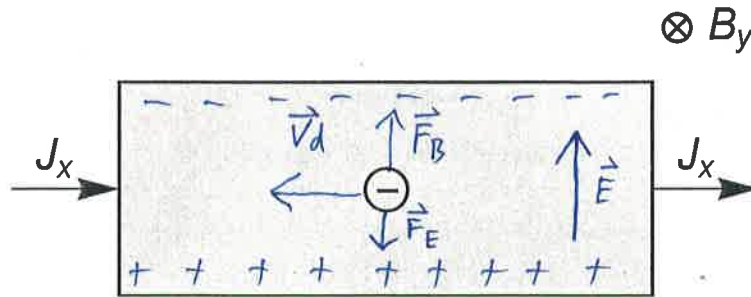
Question	Points
1	/6
2	/6
3	/12
4	/25
5	/25
6	/26

Section A

1. The figure below shows a conducting metallic strip experiencing a current in the x -direction (with density J_x) and a magnetic field in y -direction (with strength B_y). Also shown is a single, negatively charged, conduction electron.

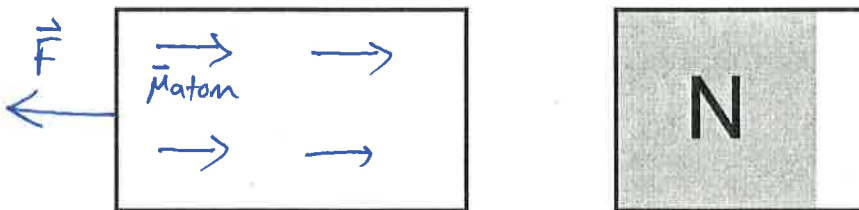
- Add arrows to the diagram to indicate the drift velocity of the electron \vec{v}_d and the magnetic force it experiences \vec{F}_B .
- Add '+' and '-' signs to the diagram to indicate the resulting build-up of charge.
- Add an arrow \vec{E} to show the electrostatic field that is developed by the charge separation.
- Add an arrow \vec{F}_E to show the electric force experienced by the electron.

$$F = q\vec{v} \times \vec{B}$$



[6]

2. The figure below shows a diamagnetic material (on the left) close to the north pole of a permanent magnet (on the right). Indicate the direction of the dipoles in the diamagnetic material, and add an arrow to show the direction of the resulting force.



Are the dipoles above pre-existing or induced?

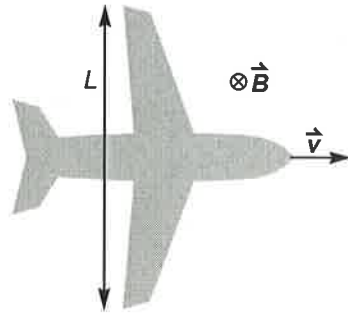
induced

What would be a suitable value of the relative permeability K_m for a diamagnetic material?

$$\underline{0 < K_m < 1}$$

[6]

3. The movement of an aeroplane through the Earth's magnetic field may generate a motional emf between the tips of its wings. By modelling the region between the wings as a conducting rod of length $L = 50$ m travelling at a speed of $v = 100$ m/s, estimate the magnitude of the motional emf. You may assume that the Earth's magnetic field has strength $B = 5 \times 10^{-5}$ T and points vertically downwards, and that the plane is flying horizontally with respect to the magnetic field, as shown in the figure below. [12]



A:

$$\begin{aligned} \mathcal{E} &= \int (\vec{v} \times \vec{B}) \cdot d\vec{l} \\ &= BvL \\ &= (5 \times 10^{-5})(100)(50) \\ &= \underline{\underline{0.25V}} \end{aligned}$$

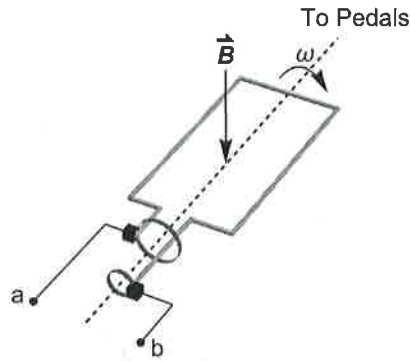
B: $\mathcal{E} = \underline{\underline{0.20V}}$

C: $\mathcal{E} = \underline{\underline{0.30V}}$

D: $\mathcal{E} = \underline{\underline{0.50V}}$

Section B

4. Ryan and Bryan are using stationary bicycles as generators to power a set of light bulbs. Ryan's bicycle has its pedals connected directly to the rotating loop of an alternator circuit, which has area A and rotates with angular velocity ω in a magnetic field \vec{B} . This rotating loop is connected via slip rings and brush contacts to a circuit with terminals labelled a and b , as shown in the figure below.

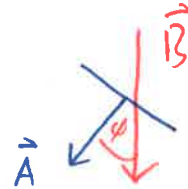


- (a) If Ryan is pedalling at a constant angular velocity ω , find an expression for the induced emf $\mathcal{E}(t)$ around the loop as a function of time. [Assume the vector area of the loop \vec{A} is parallel to \vec{B} at $t = 0$.]

[10]

Faraday:

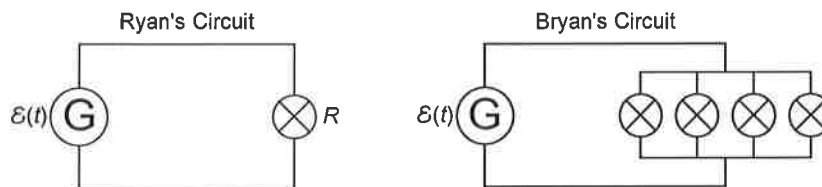
$$\mathcal{E} = - \frac{d\Phi}{dt}$$



$$\begin{aligned} \Phi &= \vec{B} \cdot \vec{A} = BA \cos \phi \\ &= BA \cos(\omega t) \end{aligned}$$

$$\Rightarrow \mathcal{E} = - \frac{d\Phi}{dt} = \underline{\underline{+\omega BA \sin(\omega t)}}$$

- (b) Ryan and Bryan have identical bicycle generators and are both pedalling at the same angular velocity ω . However, Ryan's circuit is connected to a single light bulb with resistance R , whereas Bryan's circuit is connected to four identical light bulbs in parallel, as shown in the figure below. [Light bulbs are represented by \otimes and the generator is represented by the letter G.]



What is the current drawn by each circuit as a function of time, in terms of B , A , ω and R ? [Assume the only resistance in each circuit is due to the lightbulbs]. Find an expression for the peak power delivered to the circuit by each rider. Who is experiencing the largest back-torque, and why?

[15]

Total resistance: $R_{\text{Ryan}} = R$

$$R_{\text{Bryan}} = \frac{1}{\frac{1}{R} + \frac{1}{R} + \frac{1}{R} + \frac{1}{R}} = \frac{R}{4}$$

Current drawn:

$$I_R = \frac{\mathcal{E}}{R_R} = \frac{\omega B A}{R} \sin(\omega t)$$

$$I_B = \frac{\mathcal{E}}{R_B} = \frac{4\omega B A}{R} \sin(\omega t)$$

Peak power: $P = IV$

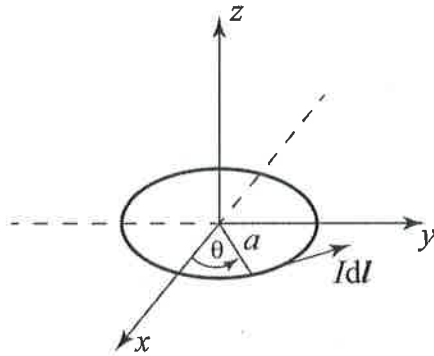
$$P_R = I_R V_R = \frac{\omega^2 B^2 A^2}{R} \sin^2(\omega t)$$

$$P_{R,\text{max}} = \frac{\omega^2 B^2 A^2}{R}$$

$$P_{B,\text{max}} = \frac{4\omega^2 B^2 A^2}{R}$$

Bryan has a larger back-torque: there is a larger current flowing through his circuit, and so $\vec{F} = I\vec{c} \times \vec{B}$ is greater

5. A circular loop of wire of radius a lies in the xy -plane centred at the origin. It is immersed in a uniform magnetic flux density $\vec{B} = (0, B_y, B_z)$. A current I is flowing in the loop in a right-handed sense around the positive z -direction, as shown below.



The line element $d\vec{l}$ shown in the figure may be expressed as

$$d\vec{l} = ad\theta [-\sin\theta\hat{i} + \cos\theta\hat{j}],$$

where \hat{i} and \hat{j} are unit vectors along the x and y directions (respectively).

- (a) Find an expression for the magnetic force $d\vec{F}$ on this element. Hence show that the total force on the loop is zero. [You may need to use the next page]. [13]

$$\begin{aligned} d\vec{F} &= I d\vec{l} \times \vec{B} = I a d\theta [-\sin\theta\hat{i} + \cos\theta\hat{j}] \times [B_y\hat{j} + B_z\hat{k}] \\ &= I a d\theta [-B_y \sin\theta (\hat{i} \times \hat{j}) + B_z \cos\theta (\hat{j} \times \hat{j}) \\ &\quad - B_z \sin\theta (\hat{i} \times \hat{k}) + B_y \cos\theta (\hat{j} \times \hat{k})] \end{aligned}$$

$$= I a d\theta [-B_y \sin\theta \hat{k} + \cancel{B_z \cos\theta \hat{j}} + B_z \sin\theta \hat{j} + B_y \cos\theta \hat{i}]$$

$$\begin{aligned} \vec{F} &= \int d\vec{F} = -B_y I a \hat{k} \int_0^{2\pi} \sin\theta d\theta + B_y I a \hat{j} \int_0^{2\pi} \sin\theta d\theta \\ &\quad + I a B_z \hat{i} \int_0^{2\pi} \cos\theta d\theta \end{aligned}$$

$$= -B_y I a \hat{k} \int_0^{2\pi} [-\cos\theta]_0^{2\pi} + B_y I a \hat{j} \int_0^{2\pi} [-\cos\theta]_0^{2\pi} \\ + \frac{B_z}{2} I a \hat{i} \int_0^{2\pi} [\sin\theta]_0^{2\pi}$$

$$= \underline{\underline{0}}$$

- (b) Write down an expression for the magnetic dipole moment $\vec{\mu}$ of the loop, and hence calculate the total torque $\vec{\tau}$ it experiences. Draw a diagram to indicate the direction of rotation.

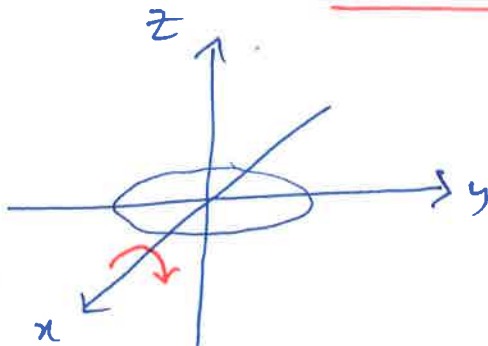
[12]

$$\vec{\mu} = I \pi a^2 \hat{k}$$

$$\vec{\tau} = \vec{\mu} \times \vec{B} = I \pi a^2 \hat{k} \times (B_y \hat{j} + B_z \hat{k})$$

$$= I \pi a^2 B_y (\hat{k} \times \hat{j}) + I \pi a^2 B_z (\hat{k} \times \hat{k})$$

$$= \underline{\underline{-I \pi a^2 B_y \hat{i}}}$$



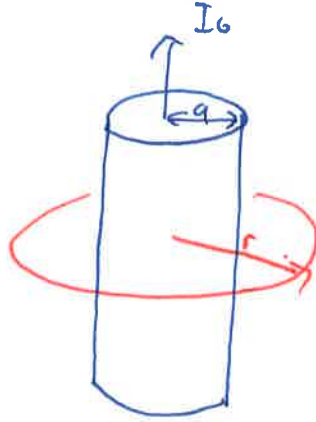
Left-handed rotation
about x-axis.

8

6.

- (a) A long conducting cylindrical wire of radius a carries a current I_0 distributed uniformly across its cross-sectional area. Use Ampère's law to obtain an expression for the magnitude of the magnetic field a distance $r > a$ from the axis *outside* the cylinder.

[10]



Magnetic field is azimuthal due to symmetry
 → choose circular contour.

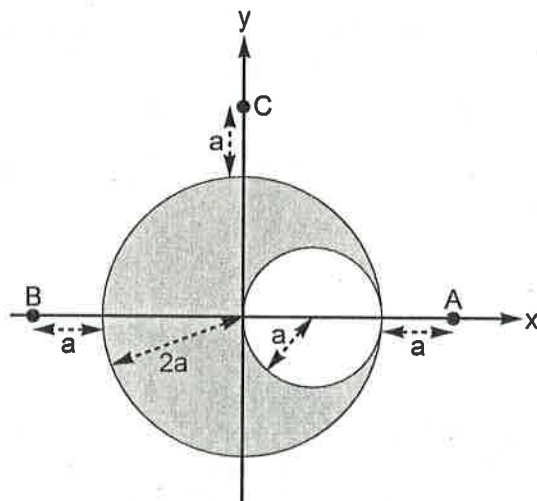
Ampère: $\oint \vec{B} \cdot d\vec{l} = \mu_0 I_{\text{enc}}$

$$\Rightarrow 2\pi r B = \mu_0 I_0$$

$$\Rightarrow \underline{\underline{B = \frac{\mu_0 I_0}{2\pi r}}}$$

- (b) A different long conducting cylindrical wire has a cylindrical cavity along its length, resulting in the cross-section indicated by the shaded area in the diagram below. The wire carries a current I_0 uniformly distributed over its cross-section. Using your result from part (a), or otherwise, derive expressions for the magnitude of the magnetic field at the points A, B and C indicated on the diagram.

[16]



$$A_{\text{big}} = \pi (2a)^2 = 4\pi a^2$$

$$A_{\text{small}} = \pi a^2$$

$$A_{\text{cross-section}} = 3\pi a^2$$

$$\frac{4}{3} I_0 - \frac{1}{3} I_0 = I_0$$

[5]

Superpose fields from two wires:

$$B_1 = \frac{\mu_0 \left(\frac{4}{3} I_0\right)}{2\pi r_1} = \frac{2\mu_0 I_0}{3\pi r_1}$$

$$B_2 = - \frac{\mu_0 \left(\frac{1}{3} I_0\right)}{2\pi r_2} = - \frac{\mu_0 I_0}{6\pi r_2}$$

[3]

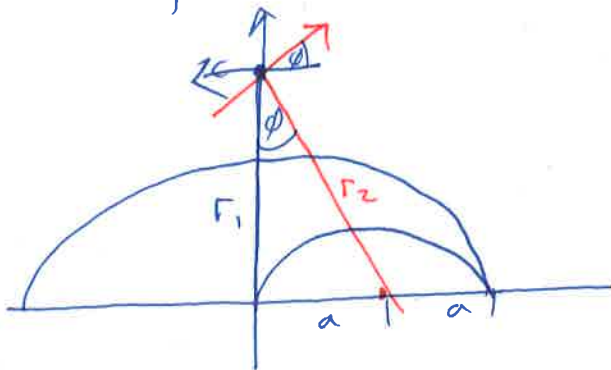
$$A: r_1 = 3a \quad r_2 = 2a$$

$$B_A = B_1 + B_2 = \frac{2\mu_0 I_0}{3\pi(3a)} - \frac{\mu_0 I_0}{6\pi(2a)} = \underline{\underline{\frac{5}{36} \frac{\mu_0 I_0}{\pi a}}} \quad [4]$$

$$B: r_1 = 3a \quad r_2 = 4a$$

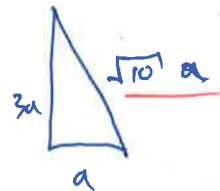
$$B_B = \frac{2\mu_0 I_0}{3\pi(3a)} - \frac{\mu_0 I_0}{6\pi(4a)} = \underline{\underline{\frac{13\mu_0 I_0}{72\pi a}}} \quad [4]$$

No points for C - too hard!



$$r_1 = 3a$$

$$r_2:$$



$$\phi = \cos^{-1}\left(\frac{r_1}{r_2}\right) = \cos^{-1}\left(\frac{3}{\sqrt{10}}\right) \Rightarrow \begin{cases} \cos \phi = \frac{3}{\sqrt{10}} \\ \sin \phi = \frac{1}{\sqrt{10}} \\ \tan \phi = \frac{1}{3} \end{cases}$$

$$\vec{B}_1 = \frac{2\mu_0 I_0}{3\pi(3a)} \hat{c} = \frac{2\mu_0 I_0}{9\pi a} \hat{c}$$

$$\vec{B}_2 = \frac{\mu_0 I_0}{6\pi(\sqrt{10}a)} [\cos \phi \hat{c} + \sin \phi \hat{j}] = \frac{\mu_0 I_0}{60\pi a} [3\hat{c} + \hat{j}]$$

$$\vec{B}_c = \vec{B}_1 + \vec{B}_2 = -\frac{2\mu_0 I_0}{9\pi a} \hat{i} + \frac{\mu_0 I_0}{20\pi a} \hat{i} + \frac{\mu_0 I_0}{60\pi a} \hat{j}$$

$$= -\frac{31\mu_0 I_0}{180\pi a} \hat{i} + \frac{\mu_0 I_0}{60\pi a} \hat{j}$$

Magnitude:

$$|\vec{B}_c| = \sqrt{\left(\frac{31}{180}\right)^2 + \left(\frac{1}{60}\right)^2} \frac{\mu_0 I_0}{\pi a}$$

$$= \sqrt{\frac{97}{3240}} \frac{\mu_0 I_0}{\pi a}$$